



IPC Eagle

Hydro Clean™ Nozzle Cleaning Maintenance

How to clean and replace the nozzle when it gets blocked.

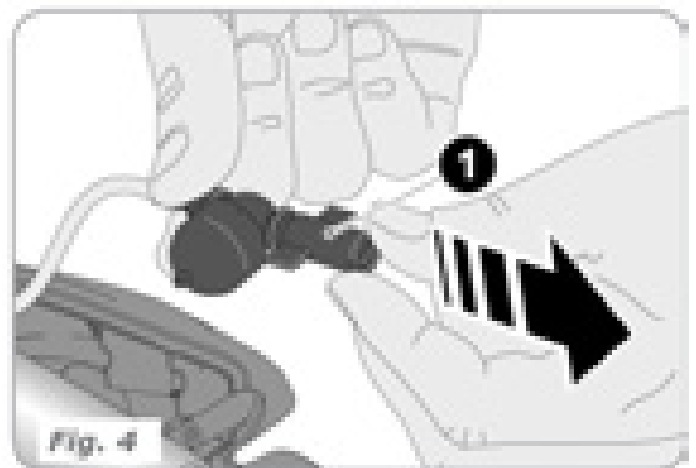
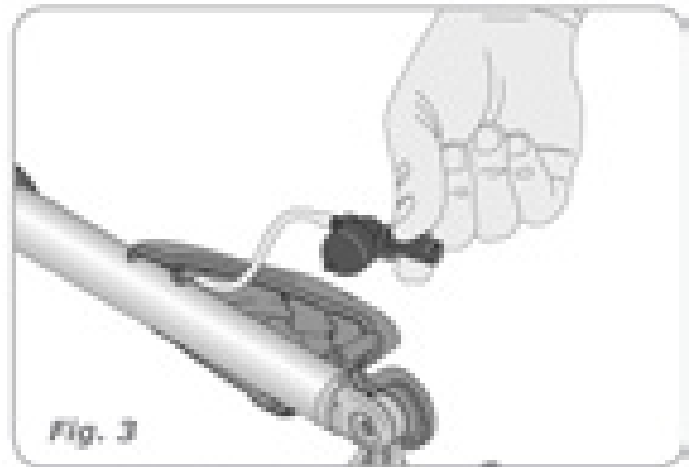
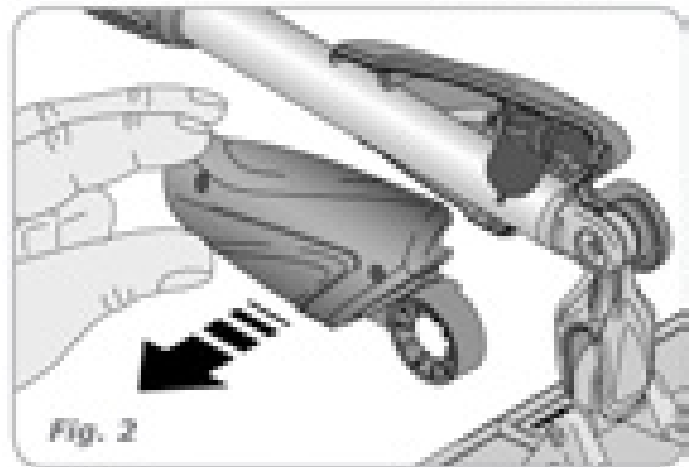
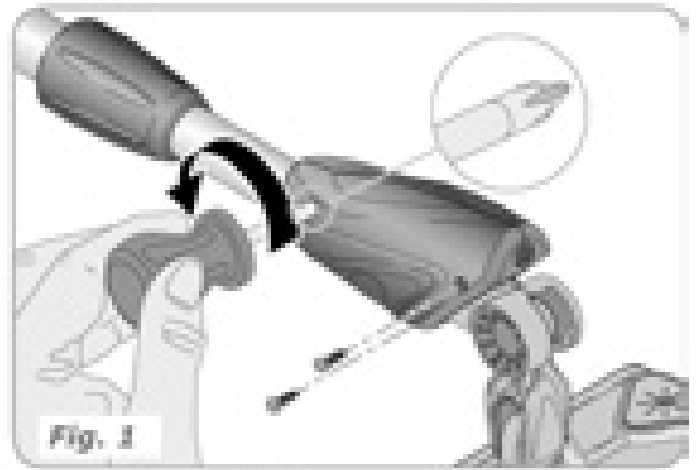
IMPORTANT: N.B. Pure or distilled water must be used with the spray to prevent the nozzle from getting blocked.

Unscrew the three screws in the top section using a philips screwdriver. (Fig.1)

Remove the top cover. (Fig. 2)

Extract the spray assembly from its seat. (Fig. 3)

Remove the nozzle holder **1** from the spray assembly. (Fig. 4)



Hydro Clean™ Nozzle Cleaning Maintenance

How to clean and replace the nozzle when it gets blocked, Continued...

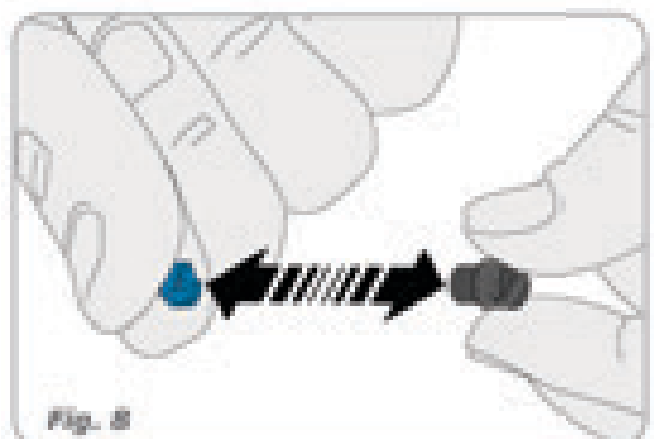
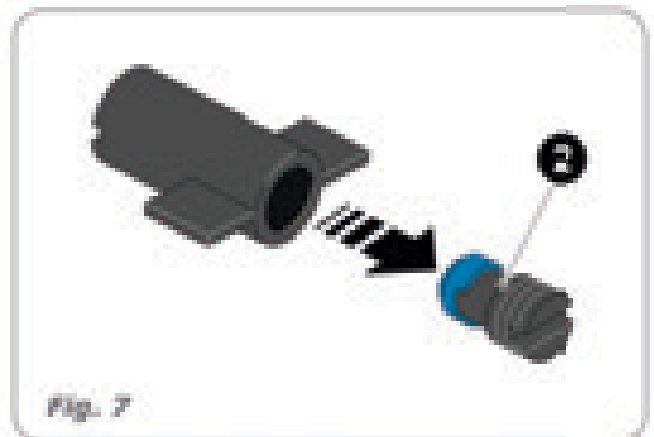
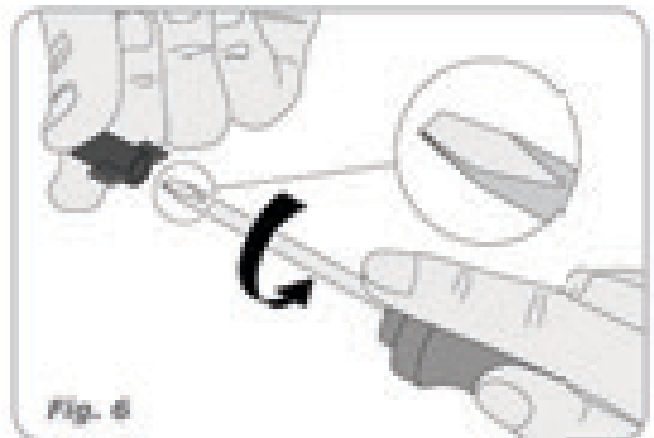
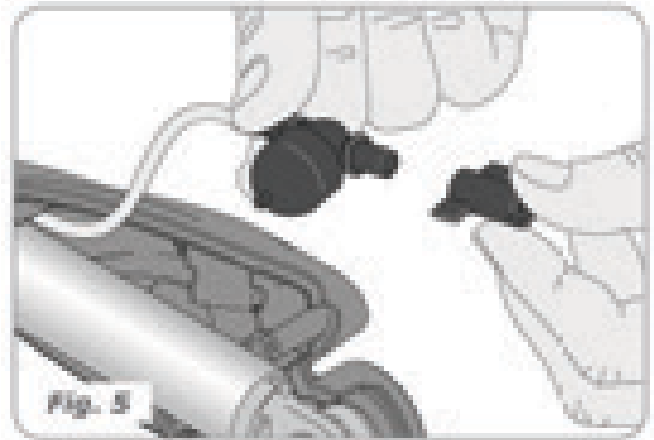
Remove the spray nozzle. (Fig. 5)

Unscrew the nozzle using a
screwdriver. (Fig. 6)

Check the nozzle **2** visually for damage
or wear. (Fig. 7)

Replace the nozzle if necessary,
otherwise clean it as follows:

Take the nozzle apart and clean the
components. (Fig. 8)



Hydro Clean™ Nozzle Cleaning Maintenance

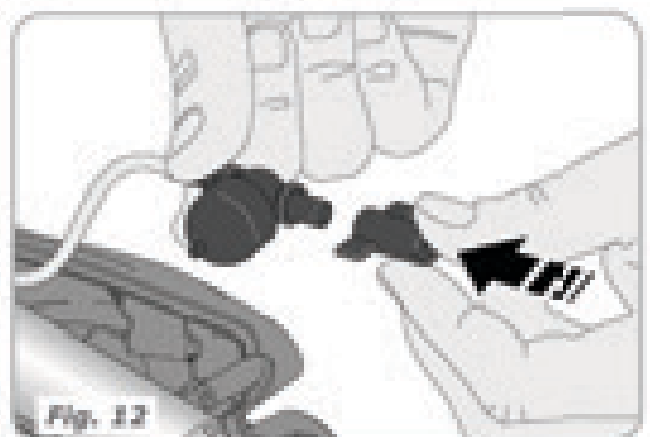
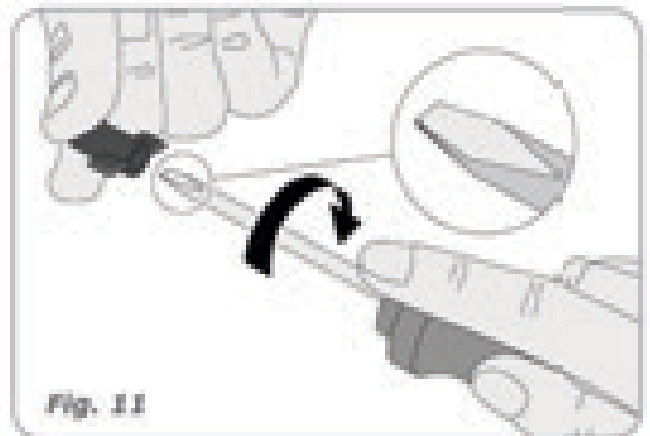
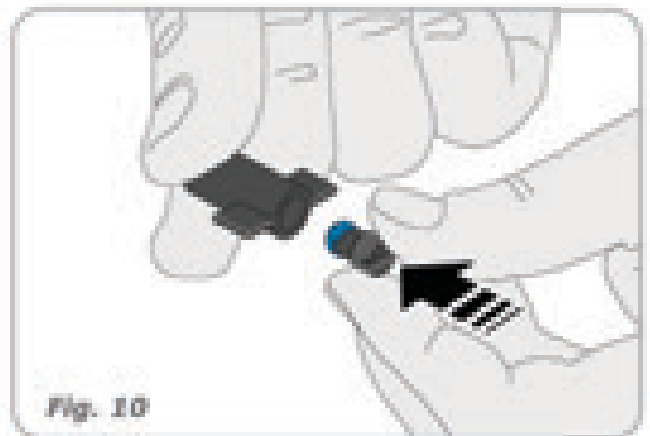
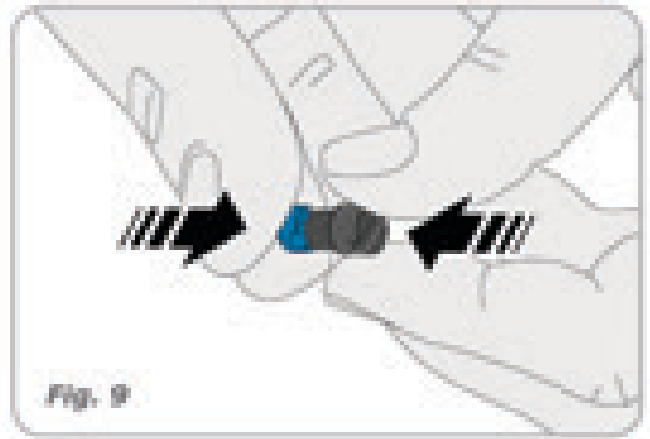
How to clean and replace the nozzle when it gets blocked, Continued...

Reassemble the nozzle. (Fig. 9)

Reposition the nozzle inside the nozzle
holder making sure it fits correctly.
(Fig. 10)

Screw the nozzle in without forcing.
(Fig. 11)

Mount the nozzle holder in the spray
body. (Fig. 12)



Hydro Clean™ Nozzle Cleaning Maintenance

How to clean and replace the nozzle when it gets blocked, Continued...

Fit the spray assemble into its seat in
the lower section. (Fig. 13)

Reposition the top section, making
sure it fits correctly. (Fig. 14)

Place the three screws in the slots.
(Fig. 15)

Tighten the screws with a philips
screwdriver to lock the sections
together. (Fig. 16)

